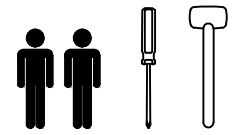
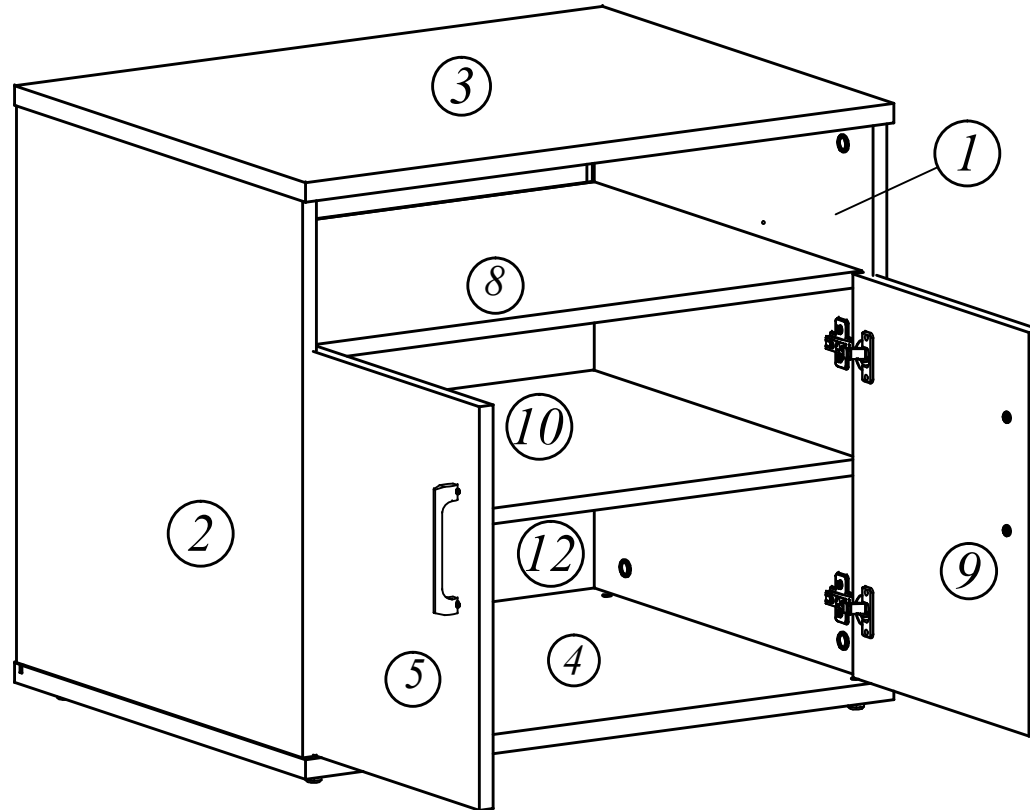
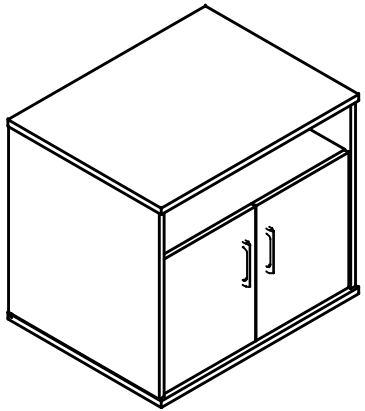
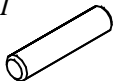
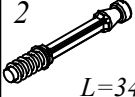




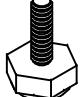











TM-1 (TM-1)

1



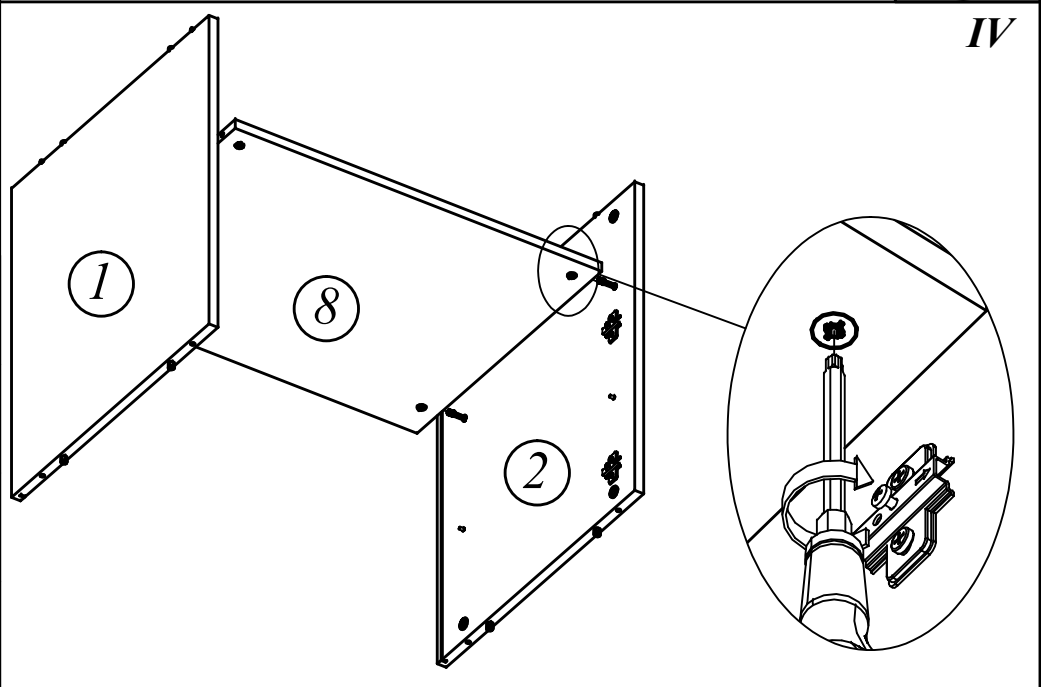
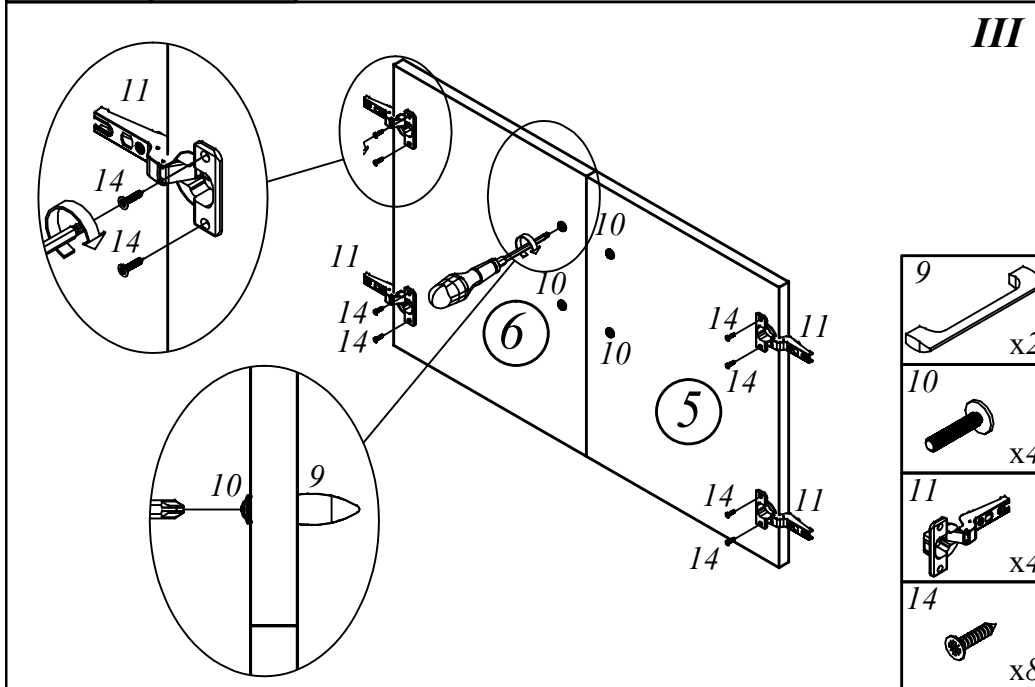
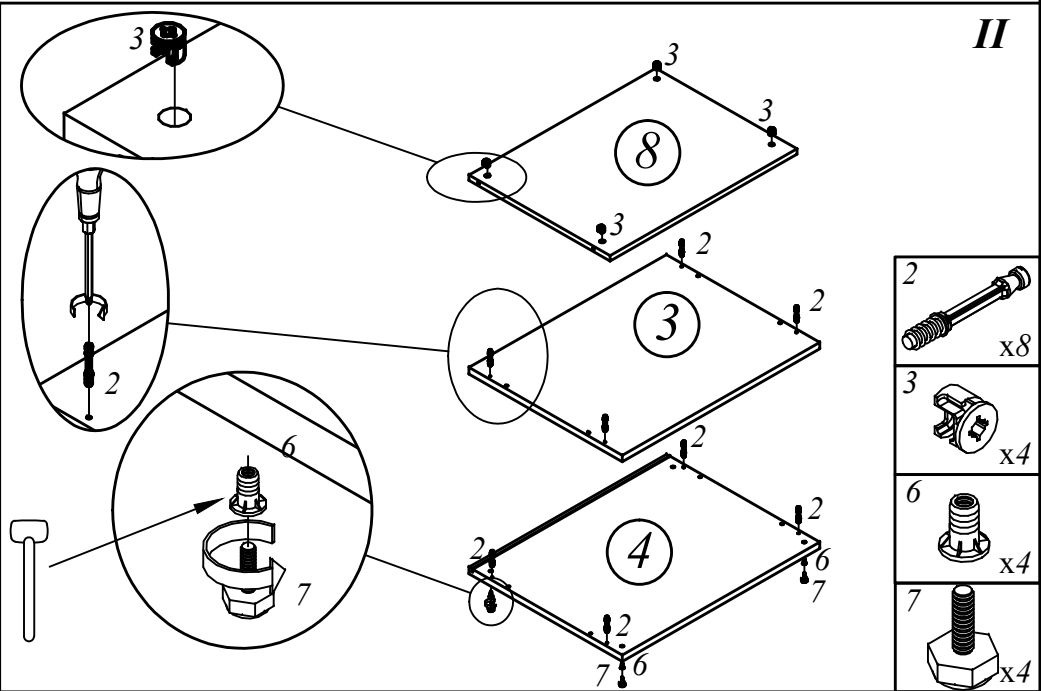
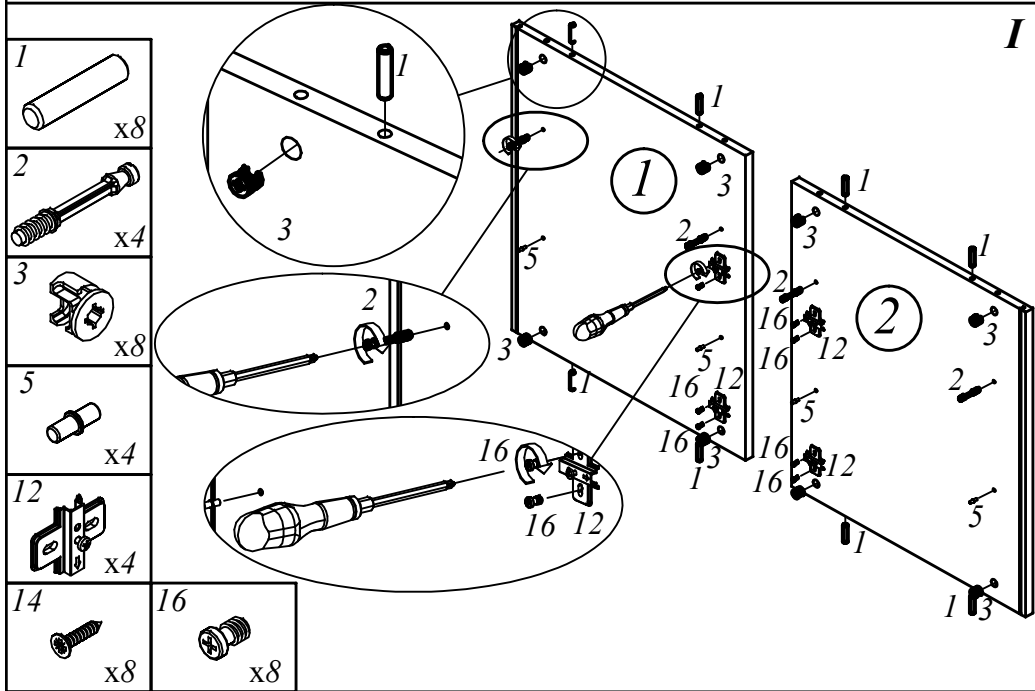
770x600x680

1		x12	2	 L=34	x12
3	 Ø15	x12	4		x12
5		x4	6		x4
7		x4	8	 1,2x25	x3
9	 L=128	x2	10		x4
11		x4	12		x4
13		x4	14	 4x16	x8
			15	 Ø10	x4
			16	 6,3x11,5	x8

ERC

TM-1 (TM-1)

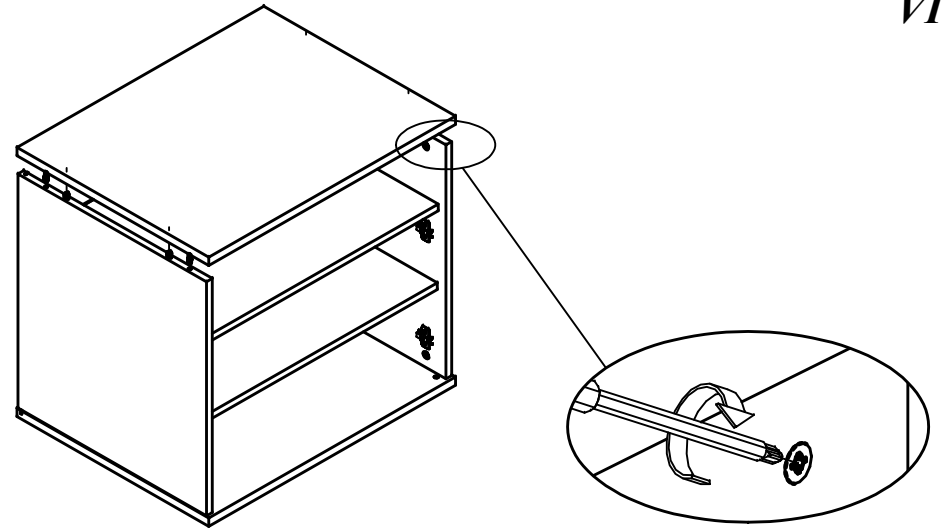
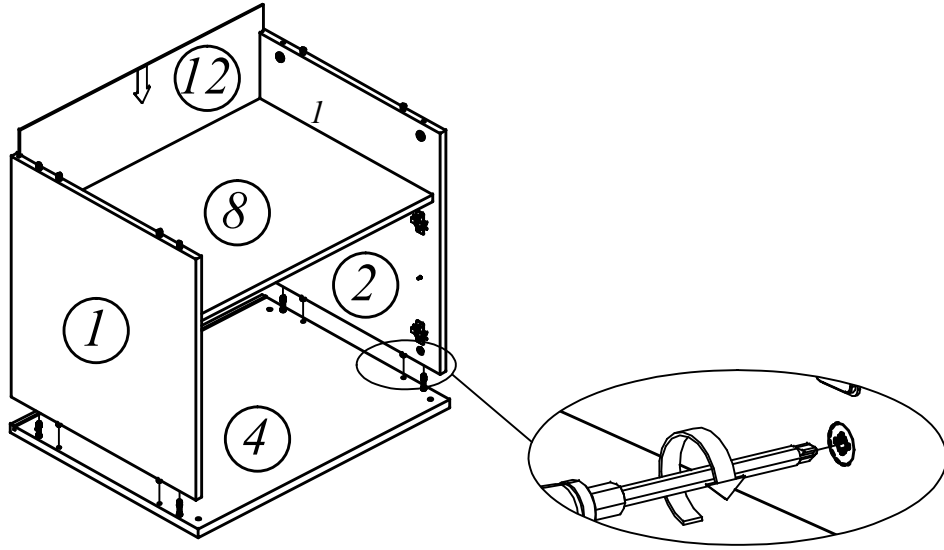
2



TM-1 (TM-1)

V

VI



VII

VIII

